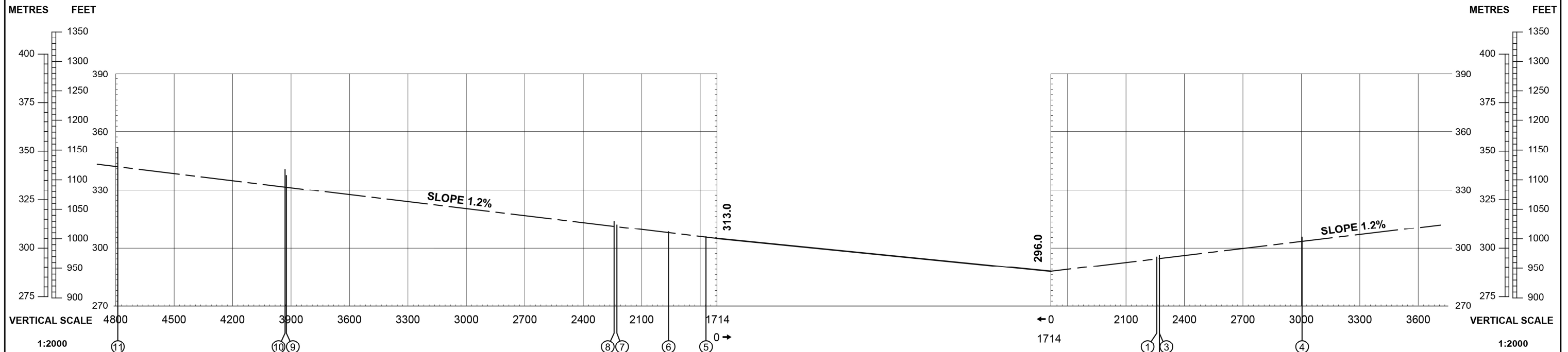


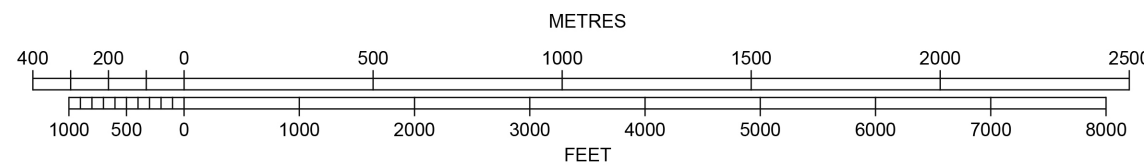
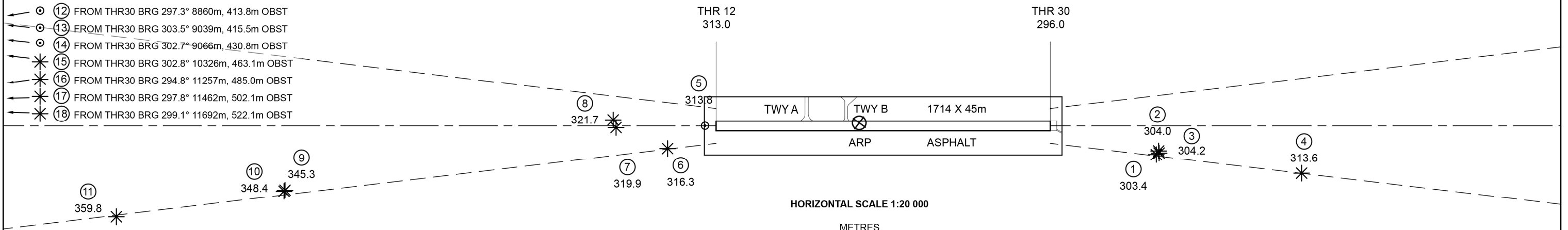
AERODROME ELEVATION 1027 FEET
MAGNETIC VARIATION 9° E 2020

RUNWAY BEARINGS
12 = GEO 117.94°; MAG 109°
30 = GEO 297.97°; MAG 289°

RWY 12	DECLARED DISTANCES	RWY 30
1714	TAKE-OFF RUN AVAILABLE	1714
1714	TAKE-OFF DISTANCE AVAILABLE	1714
1714	ACCELERATE STOP DIST. AVAILABLE	1714
1714	LANDING DISTANCE AVAILABLE	1714



- FROM THR30 BRG 303°-298° 10601-11728m, 562m Terrain
- ⑫ FROM THR30 BRG 297.3° 8860m, 413.8m OBST
- ⑬ FROM THR30 BRG 303.5° 9039m, 415.5m OBST
- ⑭ FROM THR30 BRG 302.7°-9066m, 430.8m OBST
- * ⑮ FROM THR30 BRG 302.8° 10326m, 463.1m OBST
- * ⑯ FROM THR30 BRG 294.8° 11257m, 485.0m OBST
- * ⑰ FROM THR30 BRG 297.8° 11462m, 502.1m OBST
- * ⑱ FROM THR30 BRG 299.1° 11692m, 522.1m OBST



ORDER OF ACCURACY
HORIZONTAL 5 m
VERTICAL 0.5 m

LEGEND	
IDENTIFICATION NUMBER	①
POLE, TOWER, SPIRE, ANTENNA, ETC.	○
TREE OR SHRUB	*
TERRAIN PENETRATING OBSTACLE PLANE	▲