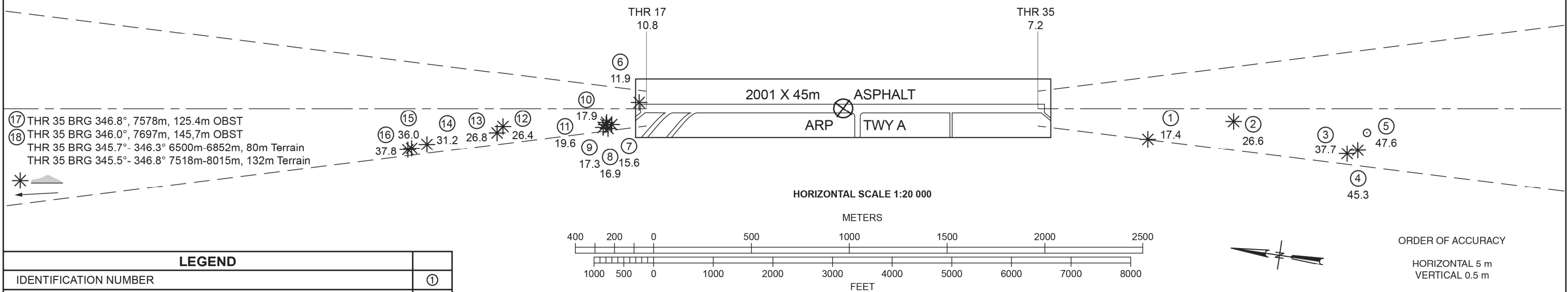
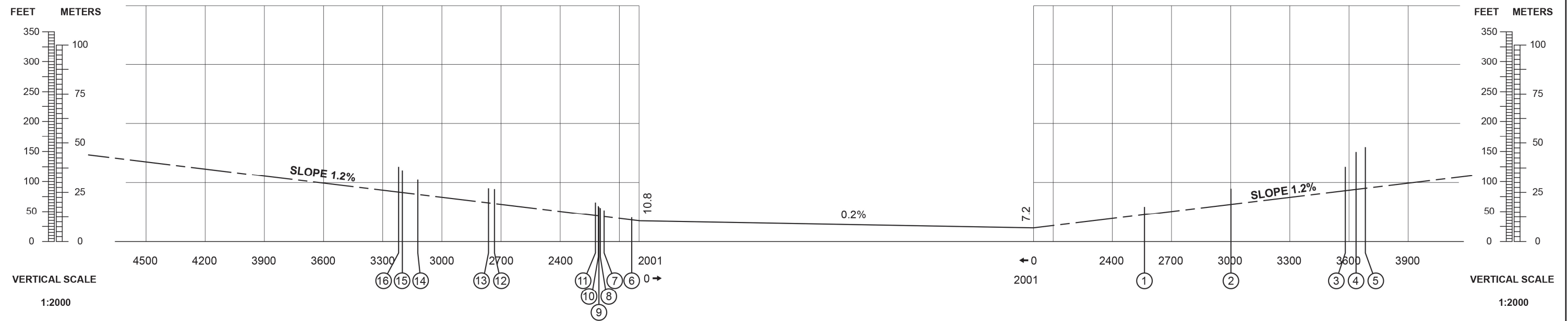


AERODROME ELEVATION 36 FEET
MAGNETIC VARIATION 7° E 2020

RUNWAY BEARINGS
17 = GEO 171.53°; MAG 165°
35 = GEO 351.53°; MAG 345°

RWY 17	DECLARED DISTANCES	RWY 35
2001	TAKE-OFF RUN AVAILABLE	2001
2001	TAKE-OFF DISTANCE AVAILABLE	2001
2001	ACCELERATE DIST. AVAILABLE	2001
2001	LANDING DISTANCE AVAILABLE	2001



- ⑰ THR 35 BRG 346.8°, 7578m, 125.4m OBST
- ⑱ THR 35 BRG 346.0°, 7697m, 145.7m OBST
- THR 35 BRG 345.7°- 346.3° 6500m-6852m, 80m Terrain
- THR 35 BRG 345.5°- 346.8° 7518m-8015m, 132m Terrain

LEGEND	
IDENTIFICATION NUMBER	①
POLE, TOWER, SPIRE, ANTENNA, ETC.	○
TREE OR SHRUB	*
TERRAIN PENETRATING OBSTACLE PLANE	▲