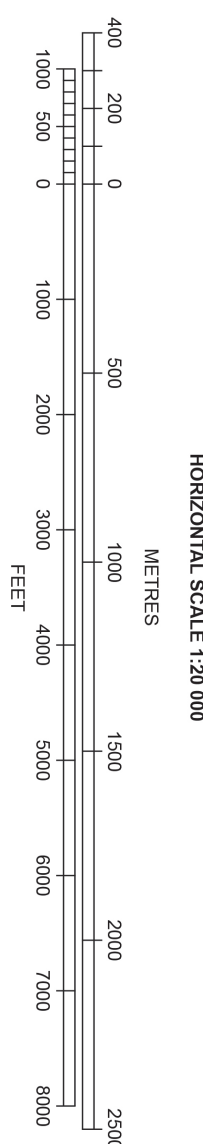
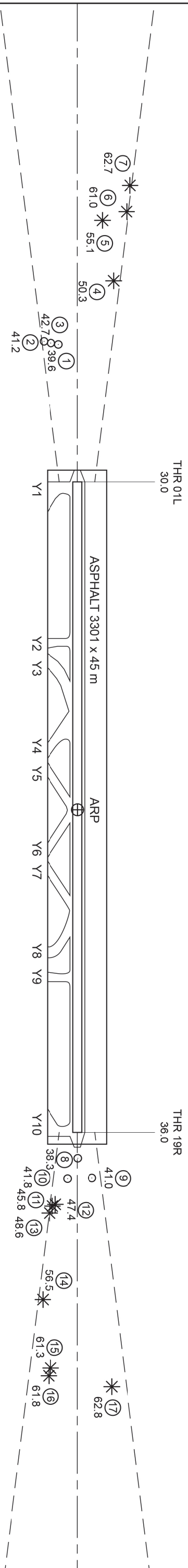
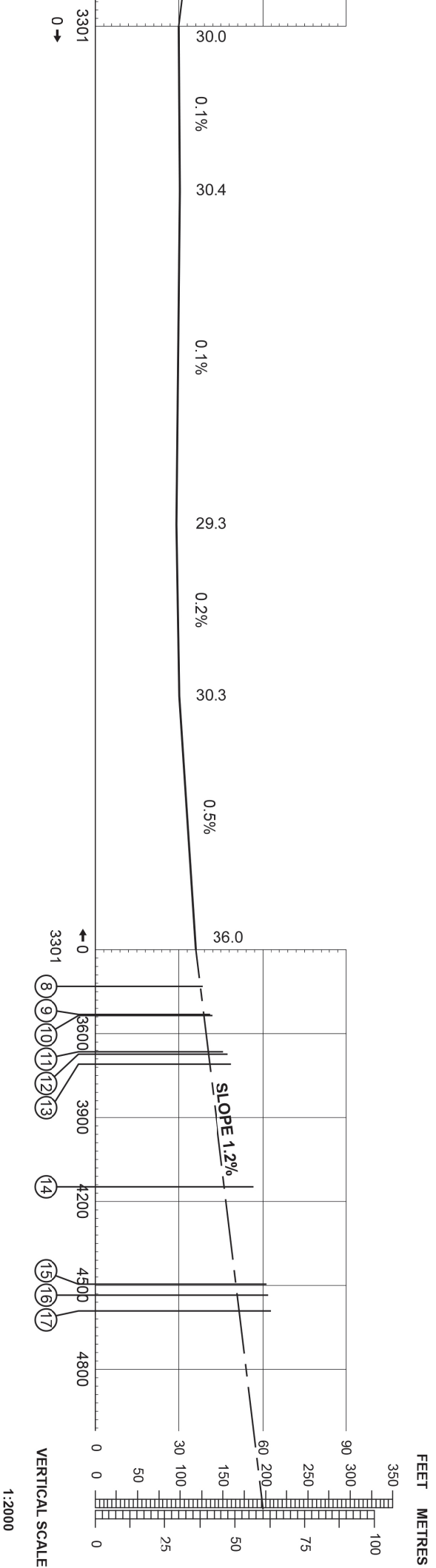
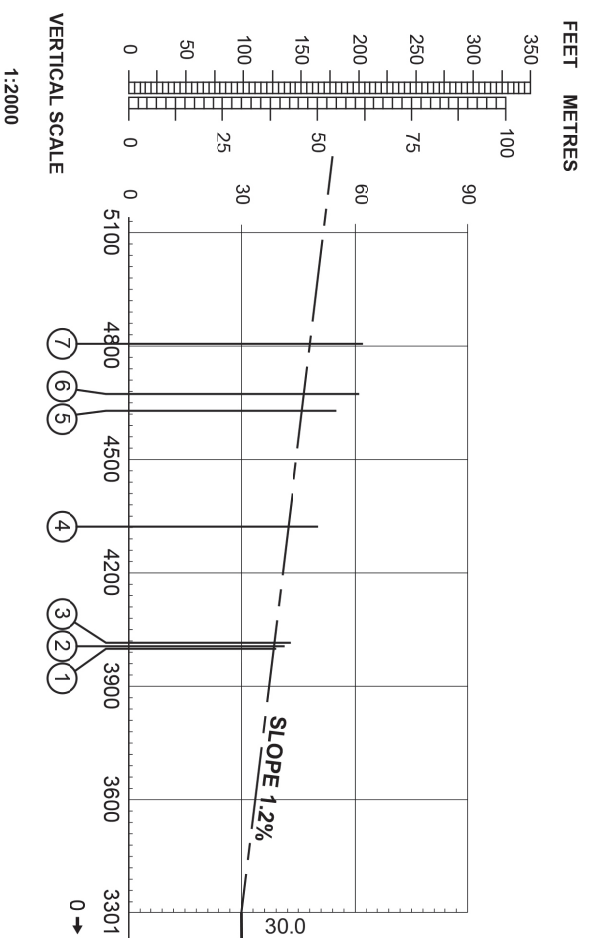


**AERODROME ELEVATION 138 FEET**  
MAGNETIC VARIATION 6° E 2020

**RUNWAY BEARINGS**  
01R = GEO 010.37°; MAG 004°  
19L = GEO 190.38°; MAG 184°

RWY 01L	DECLARED DISTANCES	RWY 19R
3301	TAKE-OFF RUN AVAILABLE	3301
3301	TAKE-OFF DISTANCE AVAILABLE	3301
3301	ACCELERATE STOP DIST. AVAILABLE	3301
3301	LANDING DISTANCE AVAILABLE	3301



ORDER OF ACCURACY  
HORIZONTAL 5 m  
VERTICAL 0.5 m

**LEGEND**

IDENTIFICATION NUMBER	②
POLE, TOWER, SPIRE, ANTENNA, ETC.	○
TREE OR SHRUB	*
BUILDING OR LARGE STRUCTURE	□

CHANGE: OBST, VAR, AD ELEV, Declared Intermediate distances published in ESSA 2.13, Editorial.

AIPAC AMDT 3/2020

**ESSA-AOC 01L/19R**  
21 MAY 2020