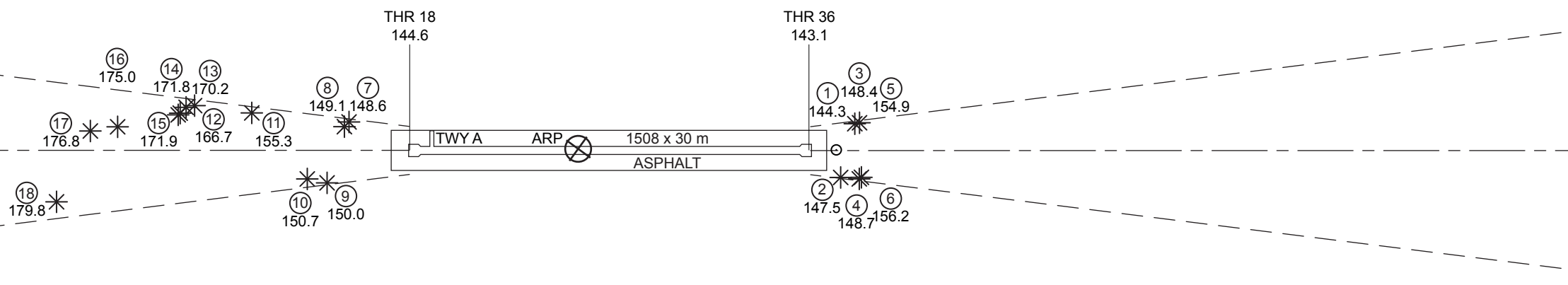
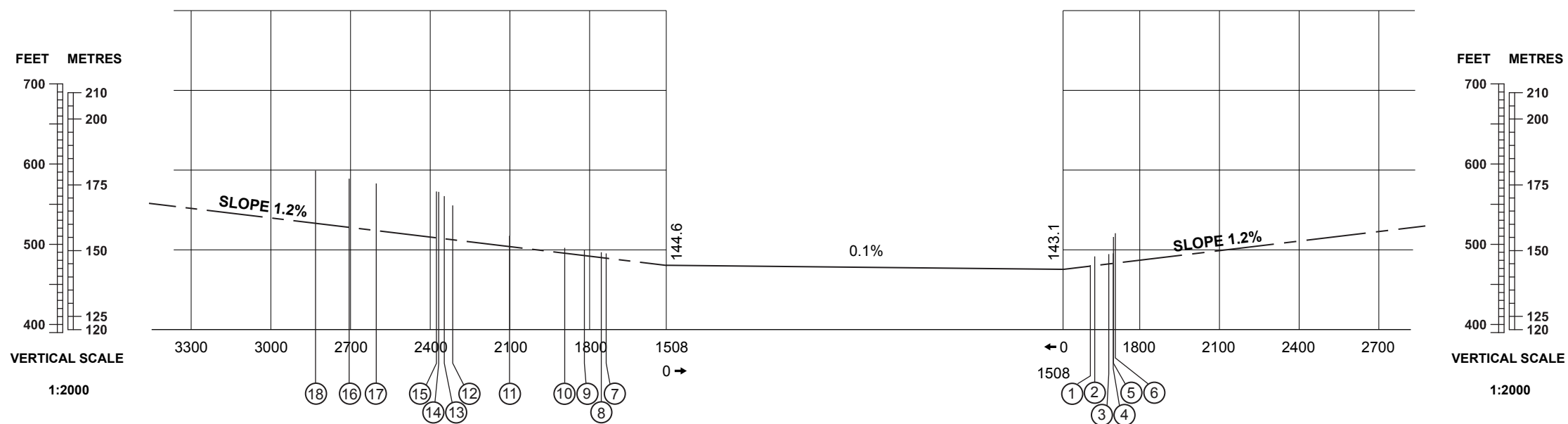


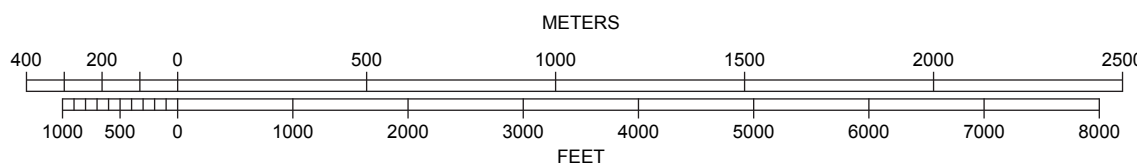
AERODROME ELEVATION 474 FEET
MAGNETIC VARIATION 4° E 2015

RUNWAY BEARINGS
18 = GEO 176.69°; MAG 173°
36 = GEO 356.69°; MAG 353°

RWY 18	DECLARED DISTANCES	RWY 36
1508	TAKE-OFF RUN AVAILABLE	1508
1508	TAKE-OFF DISTANCE AVAILABLE	1508
1508	ACCELERATE STOP DIST. AVAILABLE	1508
1508	LANDING DISTANCE AVAILABLE	1508



HORIZONTAL SCALE 1:20 000



LEGEND	
IDENTIFICATION NUMBER	①
POLE, TOWER, SPIRE, ANTENNA, ETC.	○
TREE OR SHRUB	*
TERRAIN PENETRATING OBSTACLE PLANE	▲