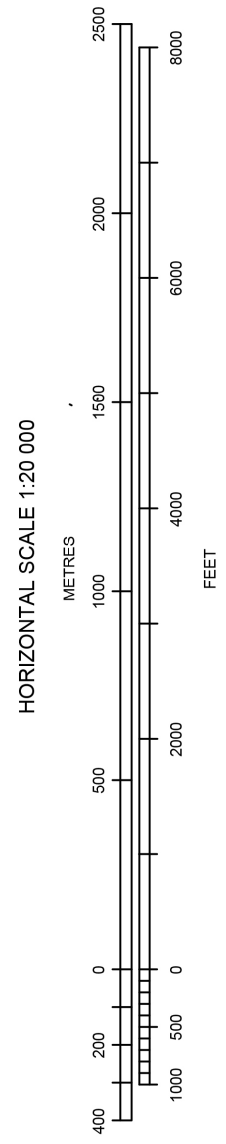
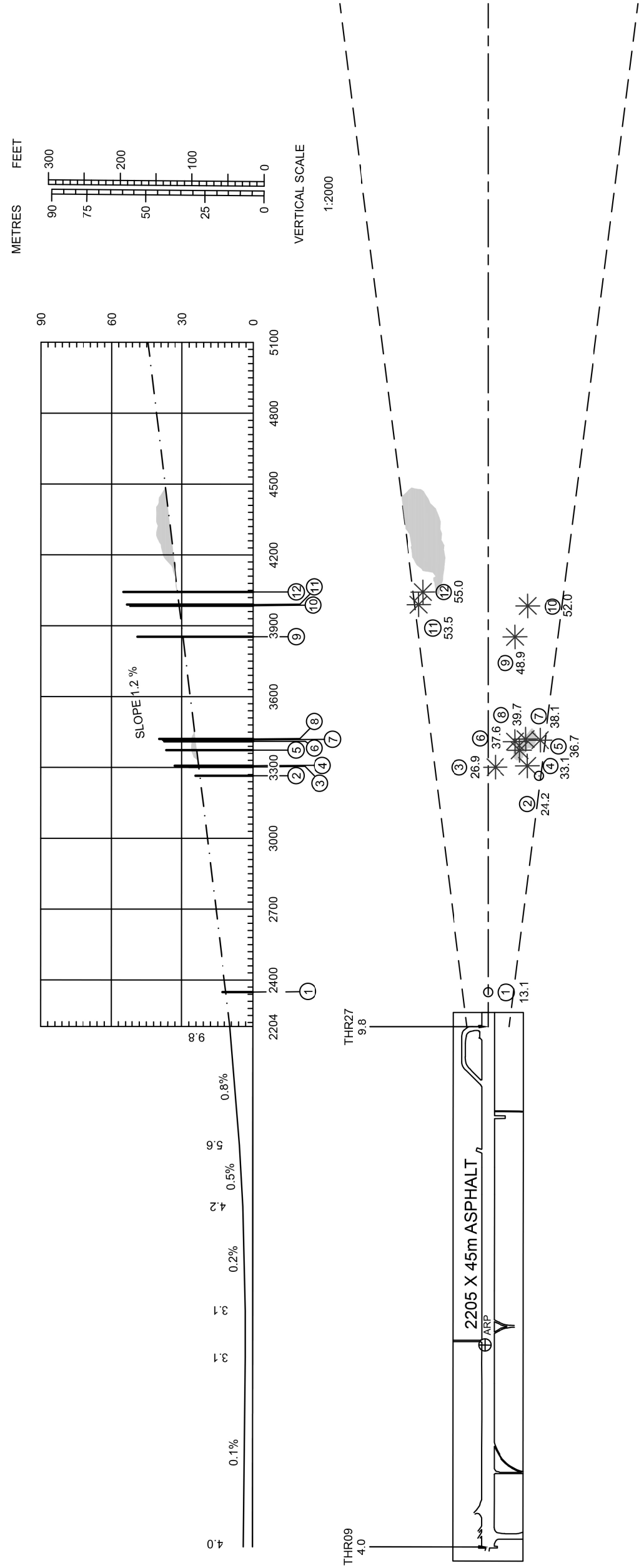


AERODROME ELEVATION 32 FEET
MAGNETIC VARIATION 5° E 2015

RUNWAY BEARINGS
09 = GEO 090.86°; MAG 086°

DECLARED DISTANCES **RWY 09**

TAKE-OFF RUN AVAILABLE	2205
TAKE-OFF DISTANCE AVAILABLE	2205
ACCELERATE STOP DIST. AVAILABLE	2205
LANDING DISTANCE AVAILABLE	2205



LEGEND

IDENTIFICATION NUMBER	①
POLE, TOWER, SPIRE, ANTENNA, ETC.	○
TREE OCH SHRUB	*
TERRAIN PENETRATING OBSTACLE PLANE	▬

LFV

CHANGE: RWY LENGTH, DECLARED DISTANCES

AIRAC AMDT 5/2017

ESSP-AOC 09
17 AUG 2017