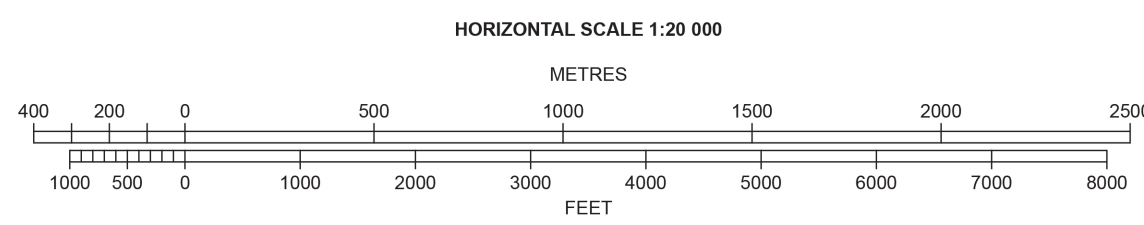
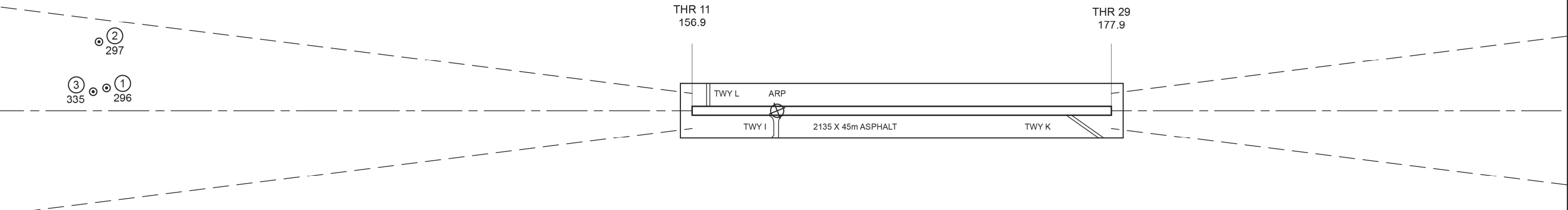
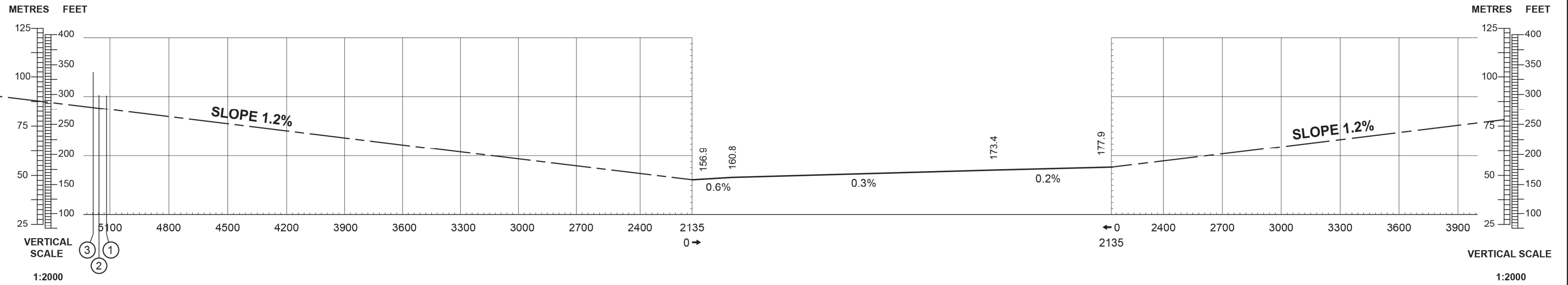


AERODROME ELEVATION 178 FEET
MAGNETIC VARIATION 6° E 2020

RUNWAY BEARINGS
11 = GEO 112.17°; MAG 106°
29 = GEO 292.19°; MAG 286°

RWY 11	DECLARED DISTANCES	RWY 29
2135	TAKE-OFF RUN AVAILABLE	2135
2135	TAKE-OFF DISTANCE AVAILABLE	2135
2135	ACCELERATE STOP DIST. AVAILABLE	2135
2135	LANDING DISTANCE AVAILABLE	2135



ORDER OF ACCURACY
HORIZONTAL 5 m
VERTICAL 1 ft

LEGEND	
IDENTIFICATION NUMBER	①
POLE, TOWER, SPIRE, ANTENNA, ETC.	○
TREE OR SHRUB	*
BUILDING OR LARGE STRUCTURE	□