

DIMENSIONS IN METRES
ELEVATIONS IN FEET

AERODROME OBSTACLE CHART-ICAO
TYPE A-OPERATING LIMITATIONS

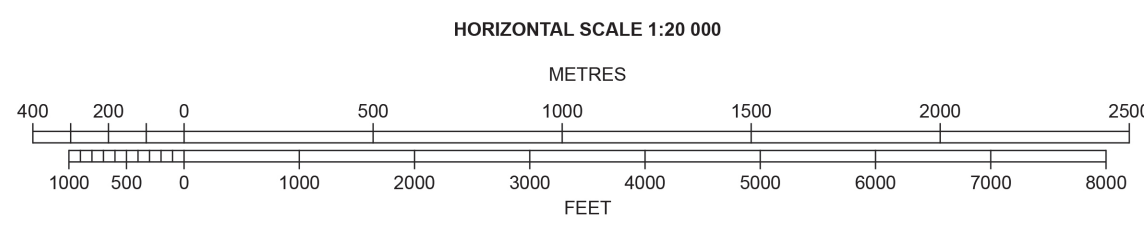
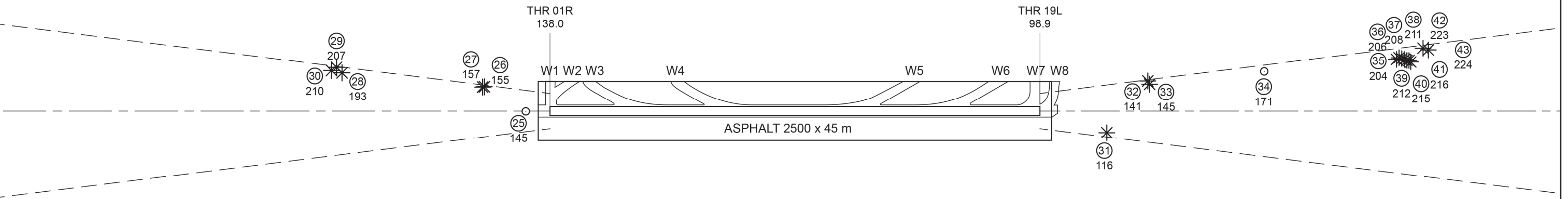
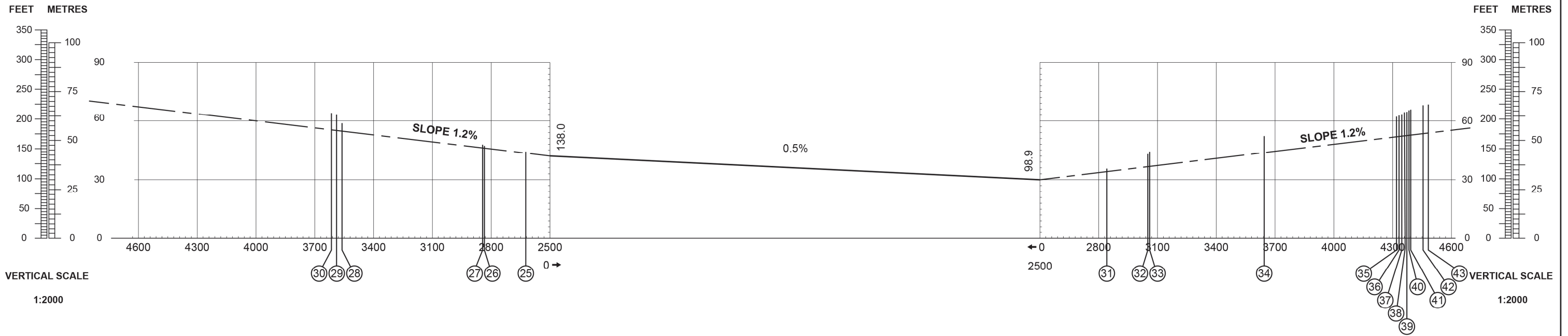
STOCKHOLM/ARLANDA
SWEDEN

AD 2-ESSA-3-3
RWY 01R/19L

AERODROME ELEVATION 138 FEET
MAGNETIC VARIATION 6° E 2020

RUNWAY BEARINGS
01R = GEO 010.40°; MAG 004°
19L = GEO 190.40°; MAG 184°

RWY 01R	DECLARED DISTANCES	RWY 19L
2500	TAKE-OFF RUN AVAILABLE	2500
2500	TAKE-OFF DISTANCE AVAILABLE	2500
2500	ACCELERATE STOP DIST. AVAILABLE	2500
2500	LANDING DISTANCE AVAILABLE	2500



ORDER OF ACCURACY
HORIZONTAL 5 m
VERTICAL 1 ft

LEGEND	
IDENTIFICATION NUMBER	②
POLE, TOWER, SPIRE, ANTENNA, ETC.	○
TREE OR SHRUB	✱
BUILDING OR LARGE STRUCTURE	□

LFV

CHANGE: Editorial.

AIRAC AMDT 6/2024

ESSA-AOC 01R/19L
28 NOV 2024