

DIMENSIONS IN METRES
ELEVATIONS IN FEET

AERODROME OBSTACLE CHART-ICAO
TYPE A-OPERATING LIMITATIONS

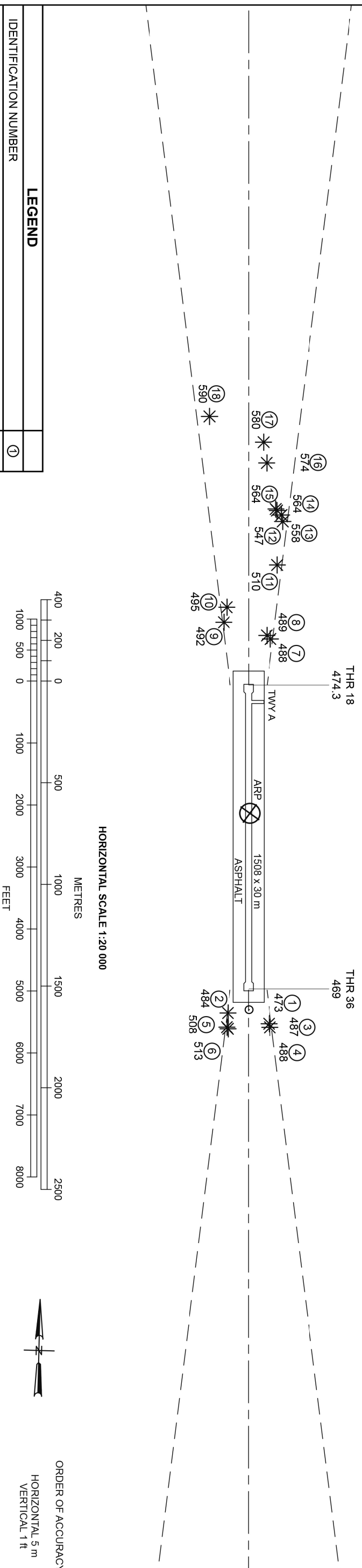
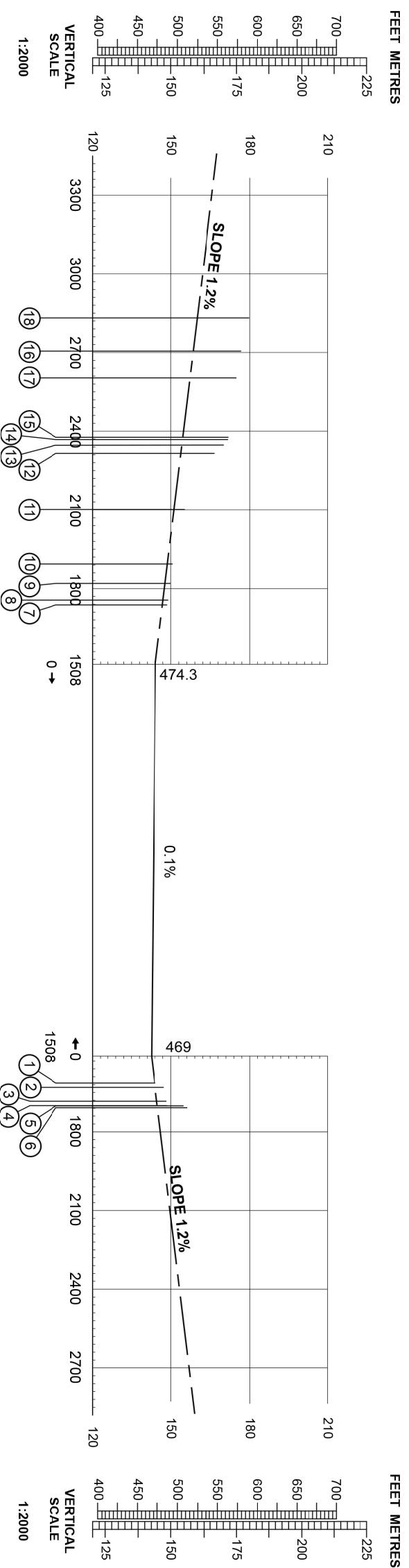
HAGFORS
SWEDEN

AD 2-ESOH-3-1
RWY 18/36

AERODROME ELEVATION 474 FEET
MAGNETIC VARIATION 5° E 2020

RUNWAY BEARINGS
18 = GEO 176.69°; MAG 172°
36 = GEO 356.69°; MAG 352°

RWY 18	DECLARED DISTANCES	RWY 36
1508	TAKE-OFF RUN AVAILABLE	1508
1508	TAKE-OFF DISTANCE AVAILABLE	1508
1508	ACCELERATE STOP DIST. AVAILABLE	1508
1508	LANDING DISTANCE AVAILABLE	1508



LEGEND

IDENTIFICATION NUMBER	①
POLE, TOWER, SPIRE, ANTENNA, ETC.	○
TREE OR SHRUB	*
TERRAIN PENETRATING OBSTACLE PLANE	—

LFV

CHANGE: ELEV IN FEET, Editorial.

AIRAC AMDT 5/2024

ESOH-AOC 18/36
08 AUG 2024