

DIMENSIONS IN METRES
ELEVATIONS IN FEET

AERODROME OBSTACLE CHART-ICAO
TYPE A-OPERATING LIMITATIONS

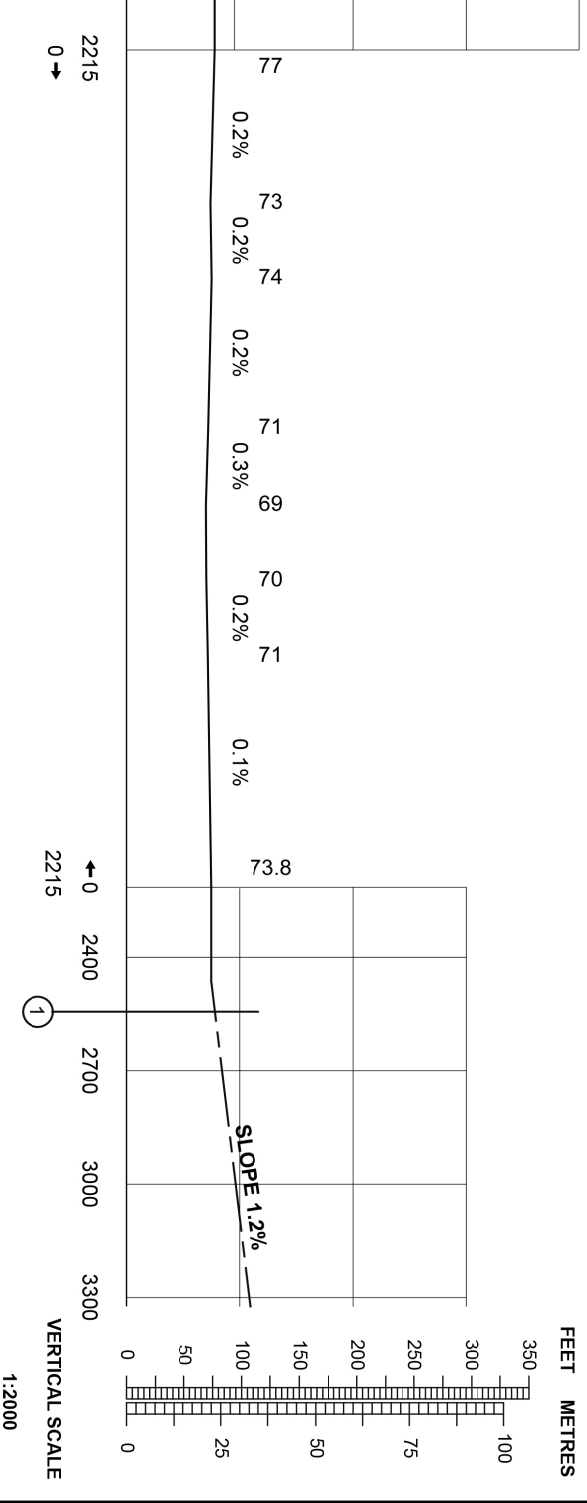
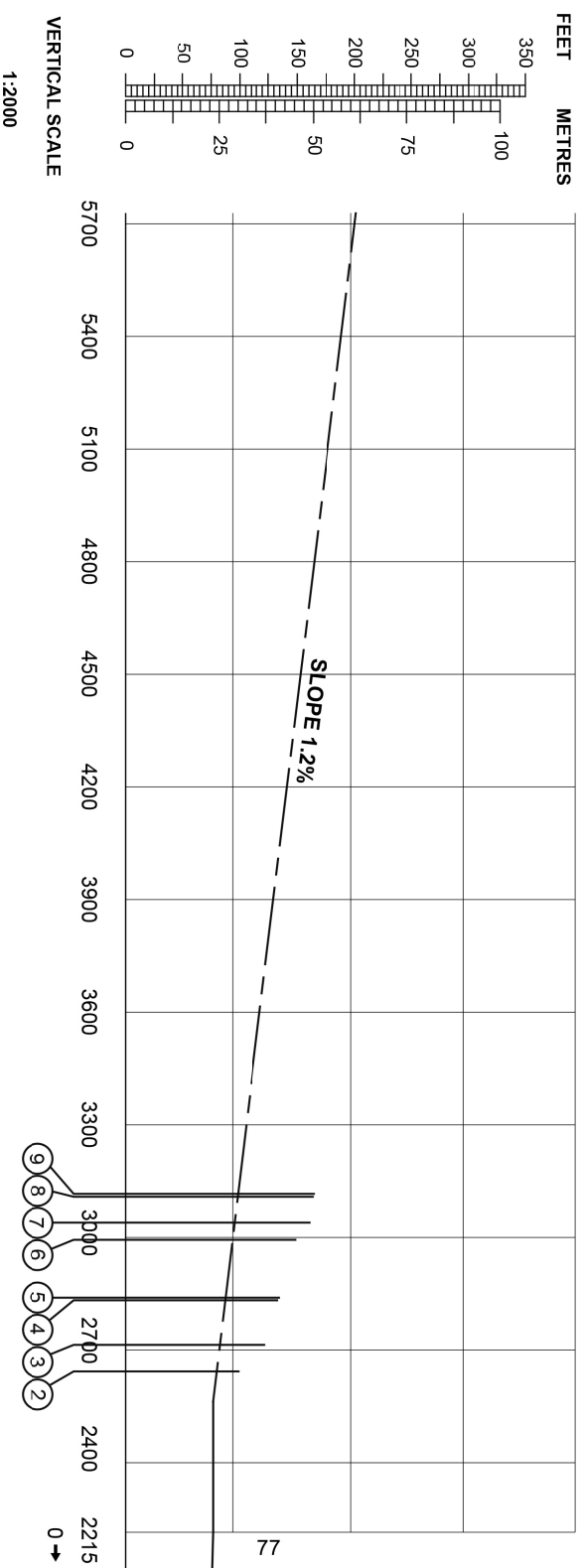
KRISTIANSTAD
SWEDEN

AD 2-ESMK-3-1
RWY 01/19

AERODROME ELEVATION 77 FEET
MAGNETIC VARIATION 6° E 2025

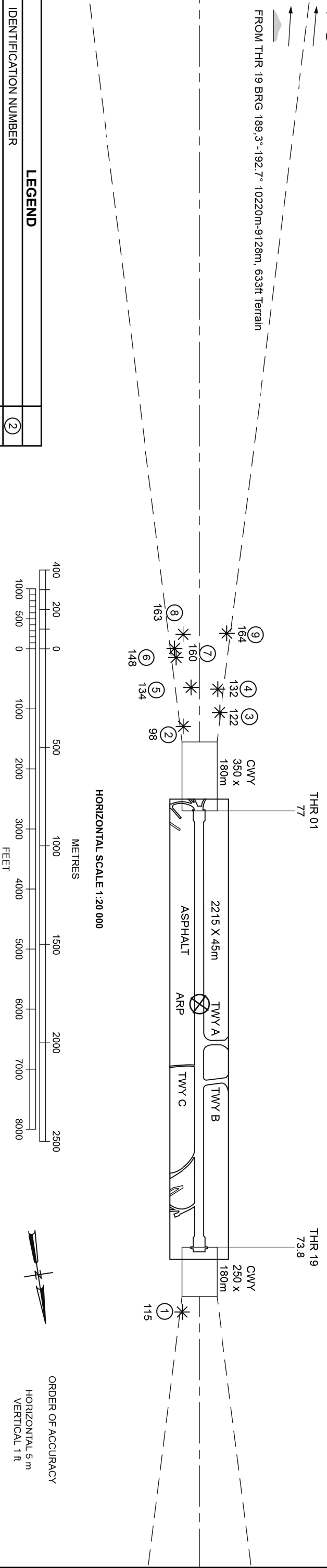
RUNWAY BEARINGS
01 = GEO 007.15°; MAG 001°
19 = GEO 187.15°; MAG 181°

RWY 01	DECLARED DISTANCES	RWY 19
2215	TAKE-OFF RUN AVAILABLE	2215
2465	TAKE-OFF DISTANCE AVAILABLE	2565
2215	ACCELERATE DIST. AVAILABLE	2215
2215	LANDING DISTANCE AVAILABLE	2215

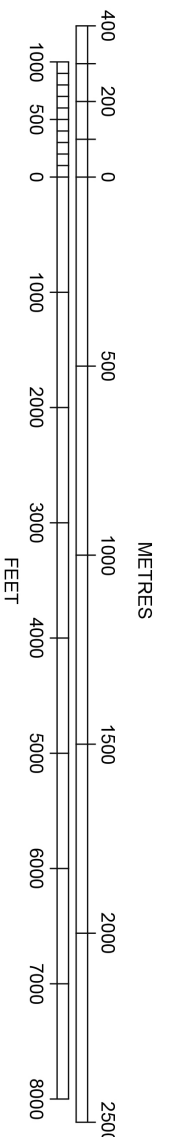


* ⑩ FROM THR 19 BRG 192.1° 9710.0m 535ft OBST

FROM THR 19 BRG 189.3°-192.7° 10220m-9128m, 633ft Terrain



HORIZONTAL SCALE 1:20 000



ORDER OF ACCURACY
HORIZONTAL 5 m
VERTICAL 1 ft

LEGEND

IDENTIFICATION NUMBER	②
POLE, TOWER, SPIRE, ANTENNA, ETC.	○
TREE OR SHRUB	*
TERRAIN PENETRATING OBSTACLE PLANE	▲

LFV

CHANGE: VAR, ELEV IN FEET

AIRAC AMDT 5/2024

ESMK-AOC 01/19
08 AUG 2024