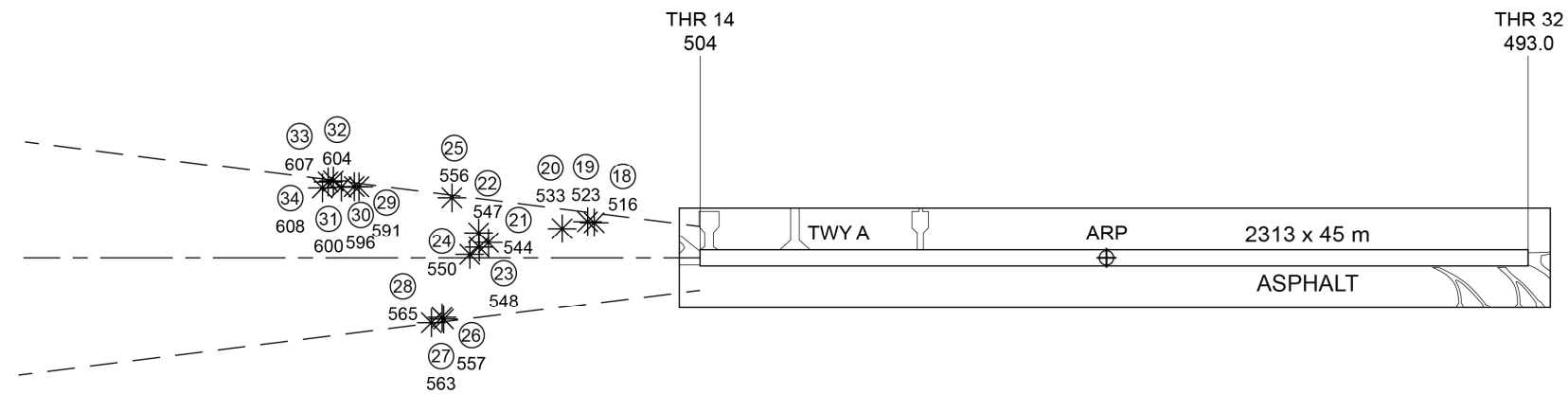
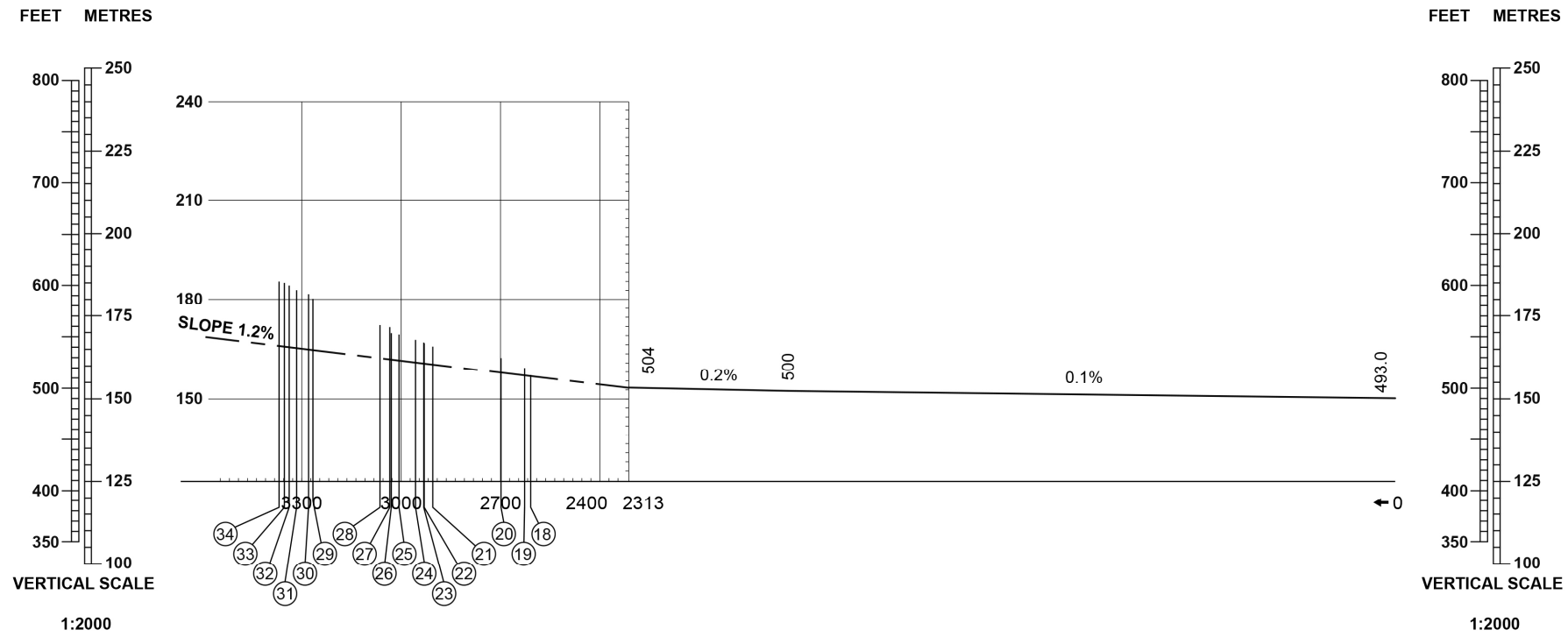


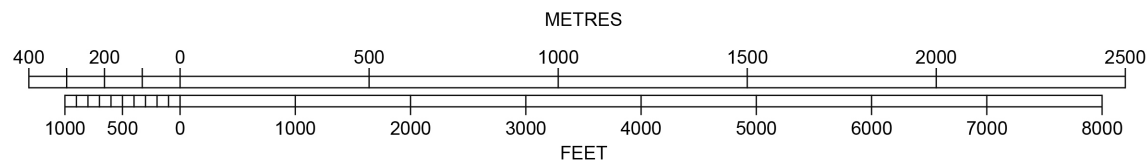
AERODROME ELEVATION 504 FEET
MAGNETIC VARIATION 5° E 2020

RUNWAY BEARINGS
32 = GEO 312.44°; MAG 307°

DECLARED DISTANCES	RWY 32
TAKE-OFF RUN AVAILABLE	2313
TAKE-OFF DISTANCE AVAILABLE	2313
ACCELERATE STOP DIST. AVAILABLE	2313
LANDING DISTANCE AVAILABLE	2313

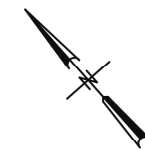


HORIZONTAL SCALE 1:20 000



LEGEND

IDENTIFICATION NUMBER	①
POLE, TOWER, SPIRE, ANTENNA, ETC.	○
TREE OR SHRUB	*
BUILDING OR LARGE STRUCTURE	□



ORDER OF ACCURACY
HORIZONTAL 5 m
VERTICAL 1 ft