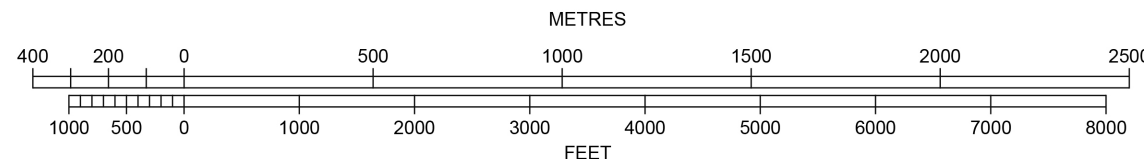
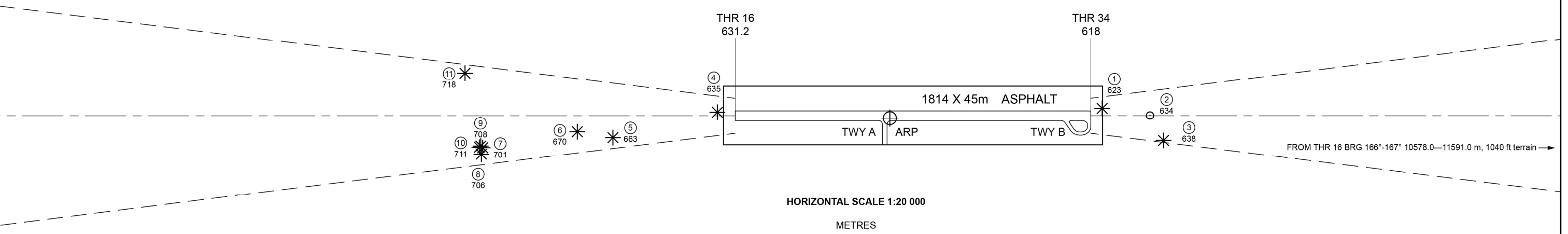
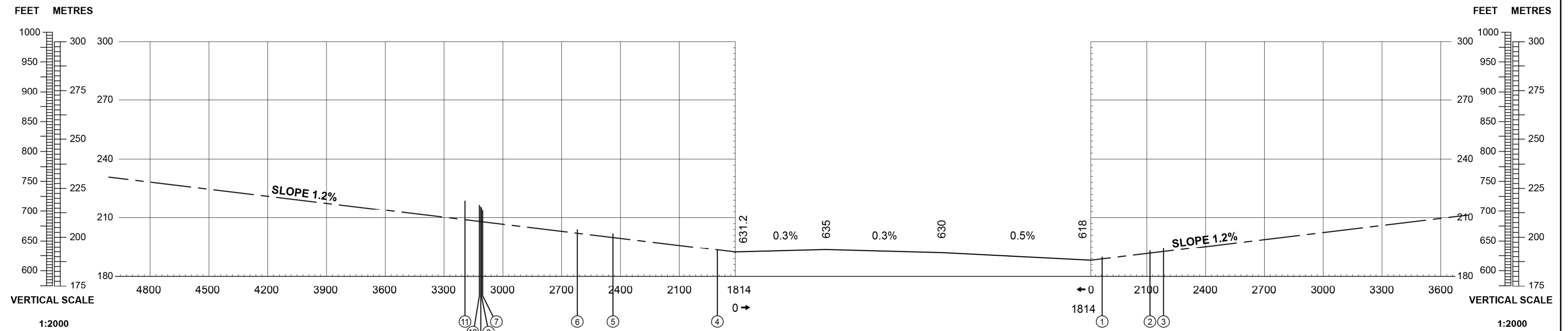


AERODROME ELEVATION 635 FEET
MAGNETIC VARIATION 6° E 2025

RUNWAY BEARINGS
16 = GEO 161.22°; MAG 155°
34 = GEO 341.23°; MAG 335°

RWY 16	DECLARED DISTANCES	RWY 34
1814	TAKE-OFF RUN AVAILABLE	1814
1814	TAKE-OFF DISTANCE AVAILABLE	1814
1814	ACCELERATE STOP DIST. AVAILABLE	1814
1814	LANDING DISTANCE AVAILABLE	1814



ORDER OF ACCURACY
HORIZONTAL 5 m
VERTICAL 1 ft

LEGEND	
IDENTIFICATION NUMBER	①
POLE, TOWER, SPIRE, ANTENNA, ETC.	○
TREE OR SHRUB	✱
TERRAIN PENETRATING OBSTACLE PLANE	▲